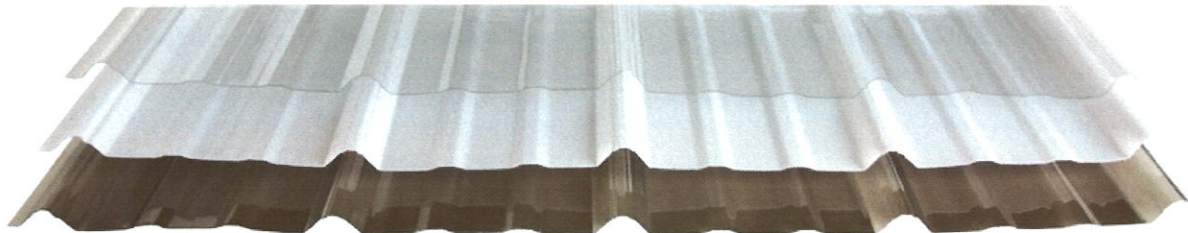


TUFTEX[®]

Poly-Lite[™] & Ridge-Lite[™]

Skylight Panels • Sidelight Panels • Ridgecaps

Let in the Sun . . . And Save Money!



Polycarbonate Skylight and Sidelight Panels

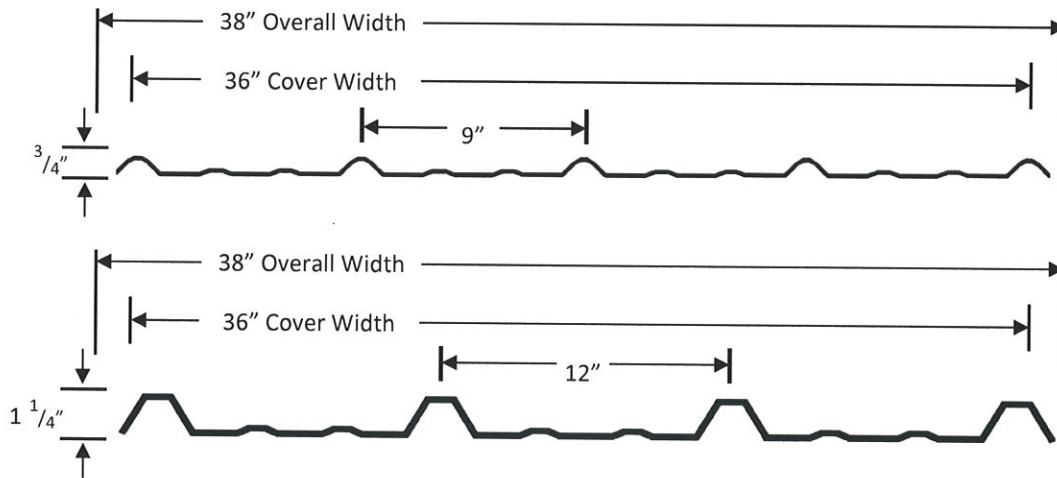
Benefits

- Brings Natural Light into Buildings
- Retains Optical Clarity . . . Will Not Yellow Like Fiberglass
- Up to 20 Times Stronger than Fiberglass
- 100% UV Protection
- Withstands Extreme Temperatures (-40°F to +270°F)
- Hail and Wind Resistant
- Matches the Most Popular Metal Roofing . . . 9" & 12" Profiles
- Saves Electricity
- Ten Year Limited Warranty
- *Note: Any Polycarbonate panel requires pre-drilling 1/8" to 3/16" larger than the fastener being used.*

TUFTEX®

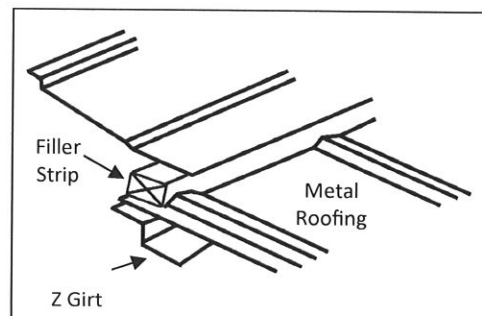
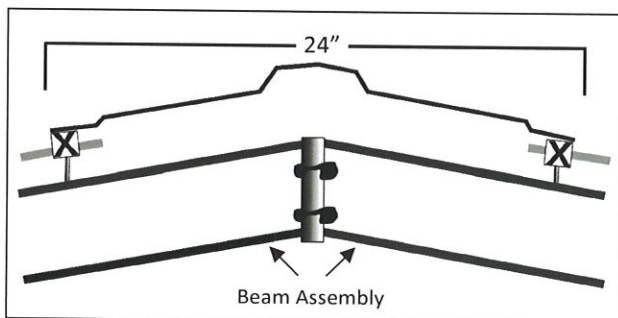
Poly-Lite™ Specifications

Panel Width:	38" U.S. Standard
Span:	2' On Center
Panel Length:	8', 10', 12', 16', 20'
Panel Thickness:	.032"
Weight:	.69 lbs/ft
Fasteners Per Panel:	Every Six Inches
Colors:	Clear, Smoke & White



Ridge-Lite™ Specifications

Panel Width:	24" Coverage
Span:	2' On Center
Corrugation Ridge Height:	1 1/4"
Panel Length:	10' 6" (One Size)
Panel Thickness:	.040"
Weight:	.54 lbs/ft
Fasteners Per Panel:	40
Colors Available:	Clear, Smoke & White



Visit us on the web at www.tuftexpanel.com or give us a call.
800-777-7663 x114 (Toll Free) or +540-898-7000 x114 (International)

Anduline®
NORTH AMERICA